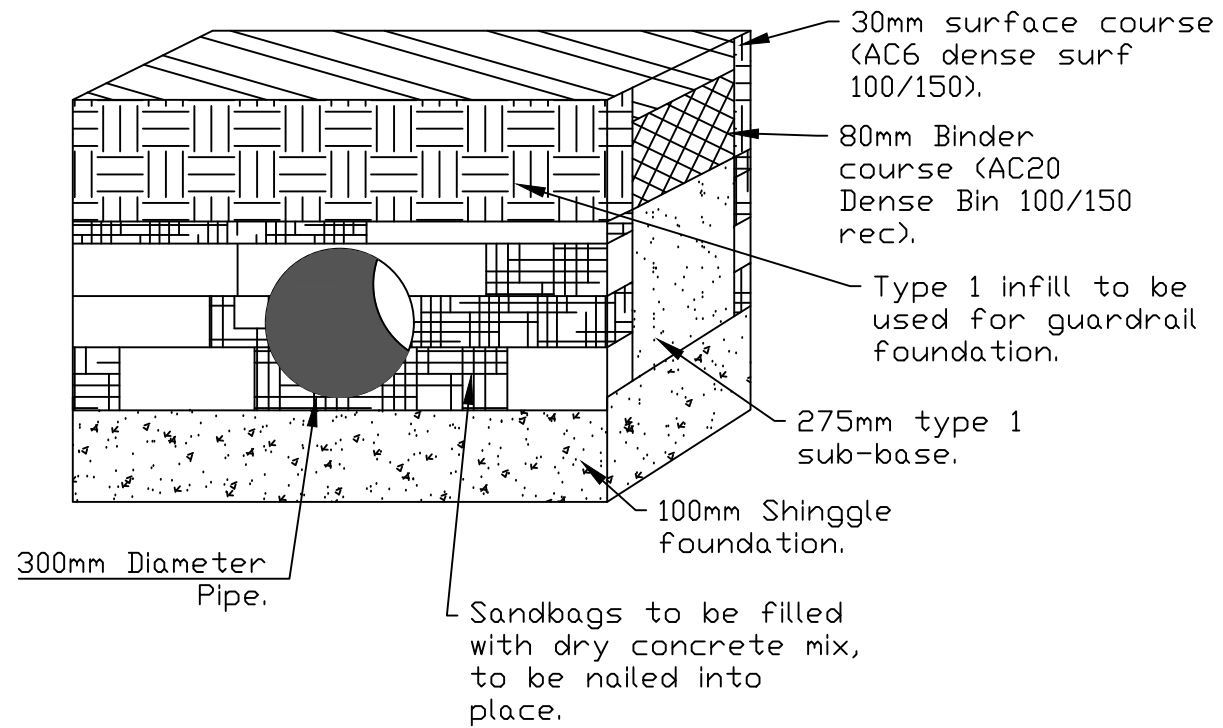
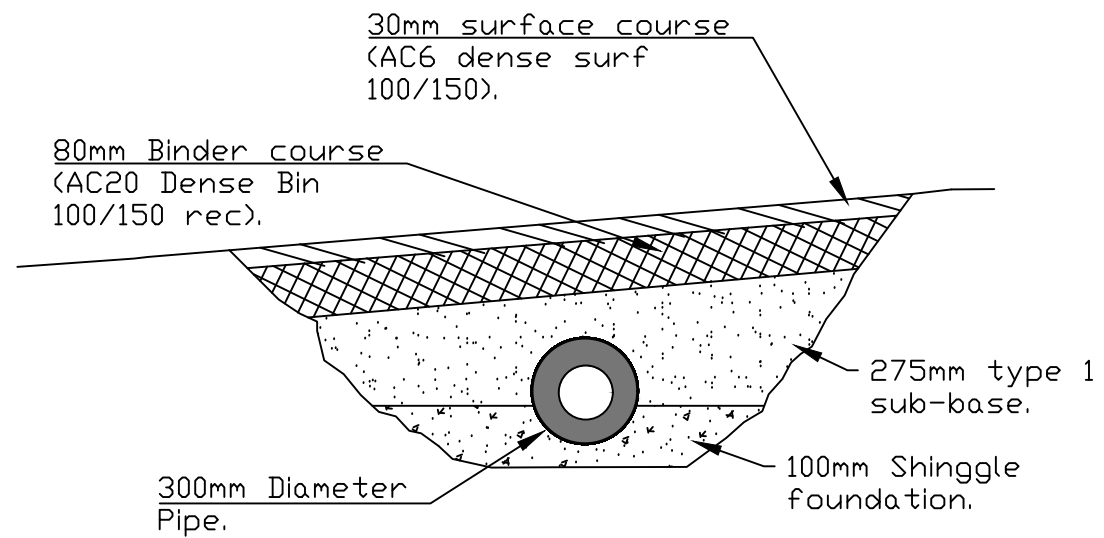


Inset A



Inset B



Notes

1. All dimensions to be in meter's unless stated otherwise.

FOR CONSTRUCTION

This map is reproduced from Ordnance Survey material with the permission of Ordnance Survey on behalf of the Controller of Her Majesty's Stationary Office Crown copyright. Unauthorised reproduction infringes Crown copyright and may lead to prosecution or civil proceedings. Swindon Borough Council 100024296 (2017)



Jason Humm
Head of Highways & Transport
Wat Tyler House West,
Swindon, SN1 2JG
Telephone (01793) 463000

Head of Highways & Transport

Client: CLIENT

Wanborough Footpath

Culvert Design

Designed BH	Scale NTS	Date 05/12/2017	Revision
Drawn BH	Drawing no. T20012/290		
Checked			